

TECHNICAL DATA SHEET: DENVER Bar Stool

DIMENSIONS:

Width:	Depth:	Height:	Seat Height:
48 cm	51.5 cm	102 cm	72.5 cm

Crafted from solid beech wood with an adjustable painted finish, this bar stool features polyurethane foam padding and adjustable leather or fabric upholstery. Echoing the design language of the Denver dining chair, its contemporary style makes it a sophisticated addition to any bar or kitchen setting.



MATERIALS:

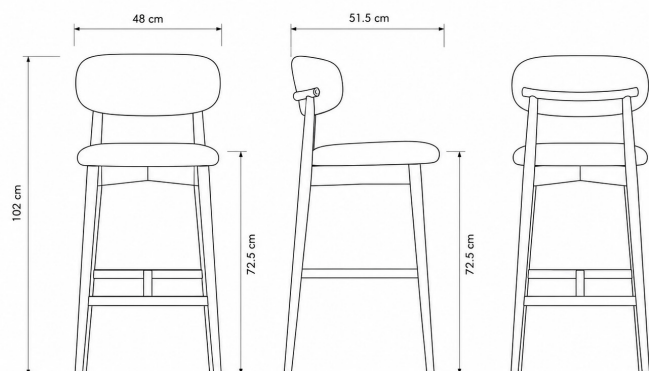
Beech solid wood frame, polyurethane foam padding; adjustable leather or fabric upholstery.

WOOD COLOUR VARIATIONS:



TECHNICAL SPECIFICATIONS:

Width: 48 cm
Depth: 51.5 cm
Height: 102 cm
Seat Height: 72.5 cm



KEY FEATURES:



Durable Construction



Comfort Cushioning



Premium Upholstery



Solid Wood Frame